

Triku ovale table with extension

Design by Samuel Accoceberry

760 x 1800/2300 x 1000 mm



The Triku collection draws inspiration from dolmens (triku harri in Basque), prehistoric structures consisting of a large capstone resting on upright stones. The Triku series, which features simple, ample forms, is crafted out of the most traditional of materials: wood and wool.

CATEGORY:

Table

ENVIRONMENT:

Indoor

APPLICATIONS:

- CHR
- Public
- Office

WEIGHT: 75 kg

MATERIALS:

Structure and legs in solid oak. Table top in multy-ply of massive oak (25 mm + 15 mm).

MADE TO ORDER: Finishes and upholsteries, page 2

ACCESSORIES: No

ASSEMBLED PRODUCT: Yes

REMOVABLE PRODUCT: No

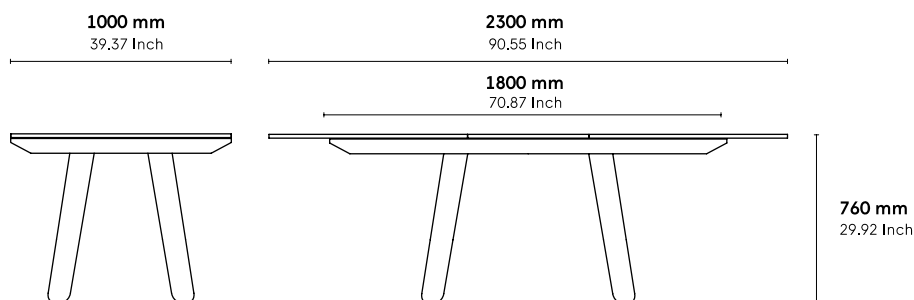
CLEANING AND CARE INSTRUCTIONS:

Dry cloth. To avoid aerosol and spray products with silicone.

DOWNLOADS:

3D and 2D files are available at alki.fr – images bank section.

DIMENSIONS :



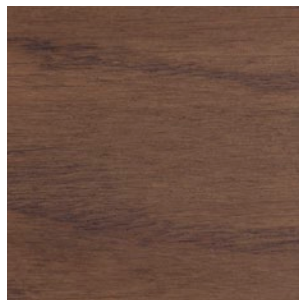
Non contractual document - modifiable without previous notice.

Finishes

Wood



Natural Oak



Ash Grey Oak



Tourbe Oak



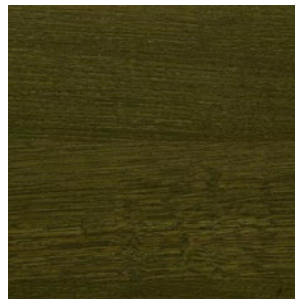
Carbon Oak



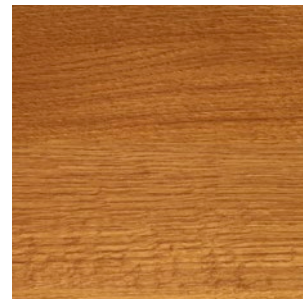
Walnut Stained Oak



White Stained Oak



Green Z1 Oak Stain



Orange 19 Oak Stain

Triku Collection

Design by Samuel Accoceberry

SEATING

Chairs
Stools

Chairs



Stools



TABLES

Meeting Tables
Dining Tables
Bistro Tables
Low Tables

Dining Tables



Meeting Tables



Bistro Tables



Low Tables

